



2011-2012 Price List

	<u>Page</u>
• Pin Adjust Row Cleaners _____	2
• Floating Row Cleaners _____	3
• Unit Mounted Fertilizer Opener _____	4
• Spading Closing Wheels _____	5
• Options _____	6 - 7
• Parts _____	7 - 15

Martin Industries 206 Elk Fork Rd Elkton, KY 42220

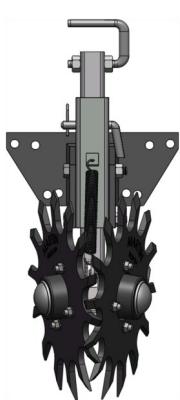
Phone: 270-265-5817

Toll Free: 800-366-5817

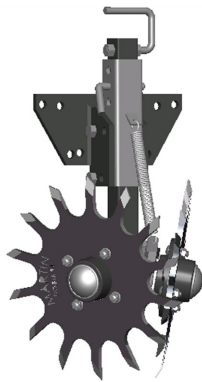
Fax: 270-265-9896

www.martintill.com

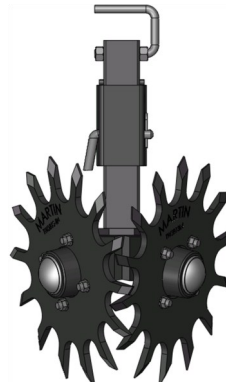
Pin Adjust Row Cleaners



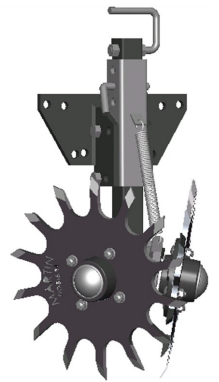
1320



1332



1334



1532

Row Cleaner With Mount

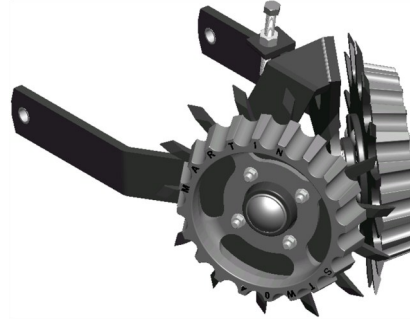
Part#	Description	Price
B1320/772	13" Pin Adjust for Deere and Kinze (Narrow Row)	\$381.00
B1332/385	13" Pin Adjust for Duetz 385	\$370.00
B1332/512	13" Pin Adjust for White 5100	\$370.00
B1332/610	13" Pin Adjust for White 6000 w/HD Down Pressure Springs	\$384.00
B1332/772	13" Pin Adjust for Deere and Kinze	\$383.00
B1332/810	13" Pin Adjust for White 8000 and Late 6000	\$388.00
B1334/892	13" Pin Adjust for Case IH 800 & 900 Series	\$369.00
*B1334/1250	13" Pin Adjust for Case IH 1200 & 1250	\$369.00
B1532/512	15" Pin Adjust for White 5100	\$386.00
B1532/610	15" Pin Adjust for White 6000 w/ HD Down Pressure Springs	\$400.00
B1532/772	15" Pin Adjust for Deere and Kinze	\$399.00
B1532/810	15" Pin Adjust for White 8000 and Late 6000	\$404.00
B413	13" For White Frame Mounted Coulter Only	\$346.00

* Will Not Work With Pneumatic Down Pressure

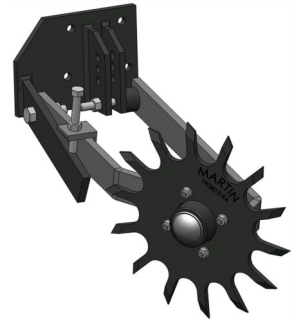
Floating Row Cleaners



1360



C125



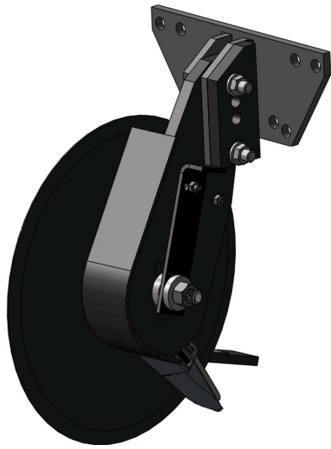
C125 GPT

Row Cleaner With Mount

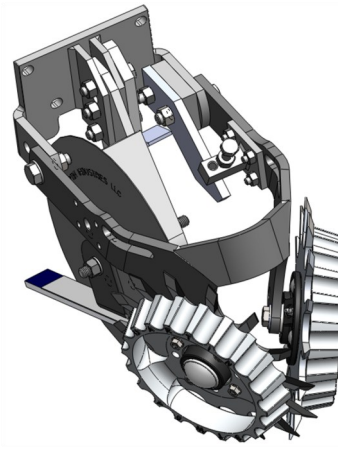
Part#	Description	Price	Price with STW-04
*BCIH1360	13" Floating for Case IH	\$411.00	\$468.00
BD1360	13" Floating for Deere 7200 and later w/o Coulter	\$401.00	\$458.00
*BK/W1360	13" Floating for 7000 Deere, Kinze & White 8000 & 6000 w/o Coulter	\$401.00	\$458.00
BDC1360	13" Floating for Deere 7200 and later with Coulter	\$401.00	\$458.00
BKC1360	13" Floating for Kinze with Coulter	\$401.00	\$458.00
C125 GPTL	13" Left Hand Single Wheel Floating Row Cleaner for Great Plains Twin Row	\$289.50	\$289.50
C125 GPTR	13" Right Hand Single Wheel Floating Row Cleaner for Great Plains Twin Row	\$289.50	\$289.50
C125R	13" Floating for Kinze & 7000 Deere, will accommodate most Unit Mtd Coulters	\$401.00	\$458.00
C125R-XP	13" Floating for 7200-1700 Series Deere	\$401.00	\$458.00
C125S	13" Floating for Kinze & 7000 Deere w/o Coulter	\$401.00	\$458.00
C125S-XP	13" Floating for 7200-1700 Deere w/o Coulter	\$401.00	\$458.00

* Will Not Work if Drive Shaft is Under Planter Frame.

Unit Mounted Fertilizer Opener



UMO-100



BD/UMO 1360

Fertilizer Opener less Mount

Part#	Description	Price
UMO-100L	Unit Mounted Single Disk Fertilizer Opener (<i>left side</i>)	\$347.00
UMO-100R	Unit Mounted Single Disk Fertilizer Opener (<i>right side</i>)	\$347.00

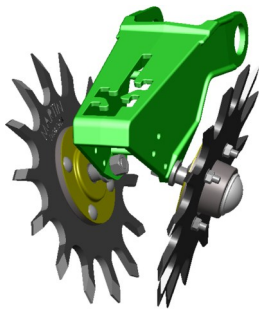
UMO-100 Mounting Brackets

Part#	Description	Price
UMO-MTA	UMO-100 Mounting Bracket for 7000, 7100 Deere & Kinze Series Planters	\$32.00
UMO-MTJ	UMO-100 Mounting Bracket for 7200, 7300, & 1700 Series Deere Planters	\$32.00
UMO-MTW	UMO-100 Mounting Bracket for 8000 Series White Planters	\$32.00
UMO-MTG	UMO-100 Mounting Bracket for Great Plains Planters	\$32.00

Row Cleaner / Fertilizer Opener Combo

Part#	Description	Price	Price w/ STW-04
BCIH/UMO1360L	UMO & 1360 Combo for 1200 Series CIH (<i>LH</i>)	\$769.00	\$826.00
BCIH/UMO1360R	UMO & 1360 Combo for 1200 Series CIH (<i>RH</i>)	\$769.00	\$826.00
BD/UMO1360L	UMO & 1360 Combo for 7200 & later Deere (<i>LH</i>)	\$758.00	\$815.00
BD/UMO1360R	UMO & 1360 Combo for 7200 & later Deere (<i>RH</i>)	\$758.00	\$815.00
BKW/UMO1360L	UMO & 1360 Combo for Kinze & White 8000 & 6000 Series (<i>LH</i>)	\$758.00	\$815.00
BKW/UMO1360R	UMO & 1360 Combo for Kinze & White 8000 & 6000 Series (<i>RH</i>)	\$758.00	\$815.00

Spading Closing Wheels



BSCW1344



BSCW1544L



BSCW899



BSCW156L



BSCW75BR

Part#	Description	Price
BSCW1341	Dual Closing wheels for 7000 Deere and early Kinze with Roll Pin Hubs	\$229.00
BSCW1343	Dual Closing Wheels for 7200 Deere	\$216.00
BSCW1344	Dual Closing Wheels for 1700 Deere and Kinze with Bolt on Hubs	\$216.00
BSCW1541L	Single Closing Wheel for 7000 Deere and early Kinze with Poll Pin Hubs (LH)	\$122.50
BSCW1541R	Single Closing Wheel for 7000 Deere and early Kinze with Roll Pin Hubs (RH)	\$122.50
BSCW1543L	Single Closing Wheel for 7200 Deere (LH)	\$116.00
BSCW1543R	Single Closing Wheel for 7200 Deere (RH)	\$116.00
BSCW1544L	Single Closing Wheel for 1700 Deere and Kinze with Bolt on Hubs (LH)	\$116.00
BSCW1544R	Single Closing Wheel for 1700 Deere and Kinze with Bolt on Hubs (RH)	\$116.00
BSCW51	Dual Closing Wheels for 5100 White	\$252.00
BSCW61	Dual Closing Wheels for 6000 White (Will Not Fit Recessed H- Bracket)	\$252.00
BSCW899	9" dual Closing Wheels for CIH	\$112.00
Drill Closing Wheels		
BSCW75BL	Spading Closing Wheel for 750 & 1850 Deere (LH)	\$117.00
BSCW75BR	Spading Closing Wheel for 750 & 1850 Deere (RH)	\$117.00
BSCW75BLD	Dimple Closing Wheel for 750 & 1850 Deere (LH)	\$123.00
BSCW75BRD	Dimple Closing Wheel for 750 & 1850 Deere (RH)	\$123.00
BSCW156L	Spading Closing Wheel for 1560,1860,1590&1890 Deere (LH)	\$81.00
BSCW156R	Spading Closing Wheel for 1560,1860,1590&1890 Deere (RH)	\$81.00
BSCW156D	Dimple Closing Wheel for 1560,1860,1590&1890 Deere	\$87.00

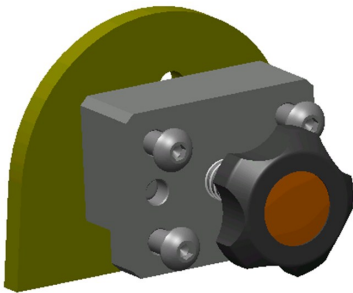
Options



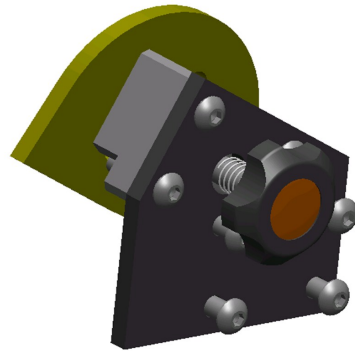
STW-04



WW-04



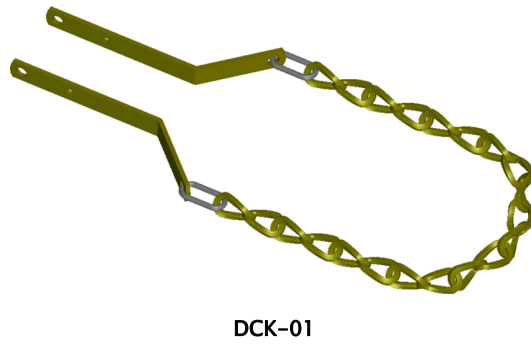
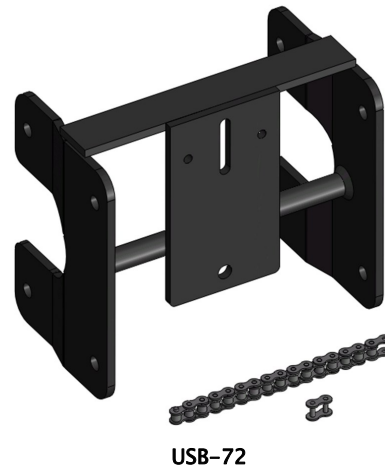
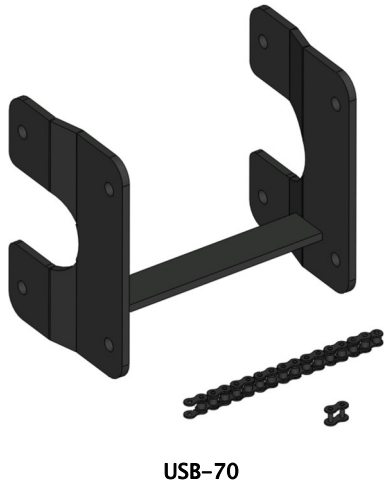
CA-03D



CA-03K

Part #	Description	Price/Each
STW-04	Aluminum Side Treader Wheel (4 bolt pattern) 2 Required per Row	\$28.50
WW-04	Wheel Weight (4 bolt) for extreme conditions, 2 Required per Row	\$21.00
CA-03D	WA1360 Cam adjust for Deere & Kinze Planters except Kinze w/ Coulter	\$61.00
CA-03K	WA1360 Cam adjust for Kinze Planters with Kinze Coulter	\$61.00

Options (continued)



Part #	Description	Price
USB-70	Unit set Back Plate for Deere 7000 & Kinze Planters, Includes Roller Chain Extension	\$73.50
USB-72	Unit set Back Plate for Deere 7200 and later Planters, Includes Roller Chain Extension	\$106.00
RID-01	Reduced Inner Diameter Gauge Wheel Tire, Fits Existing Gauge Wheel Rims	\$24.95
DCK-01	Drag Chain Kit	\$37.00

Martin Planter Attachment Parts Price List

Part #	Description	Price
109-0767	Small Lift Assist Spring	\$4.15
12B	Bent Pull Pin with Clip	\$3.15
1315STEM	1 1/2" Weldment; Component of WA1332 and WA1532	\$63.00
1317STEM	1 1/2" Weldment (replacement part only)	\$63.00
1320STEM	1 1/2" Stem and Hubs for WA1320	\$189.00
1330STEM	2" Stem Weldment (replacement part only)	\$63.00
1334STEM	2" Stem Weldmen; Component of WA1334	\$63.00
1517STEM	1 1/2" Stem and Hubs (replacement part only)	\$189.00
156-41	Adaptor Plate for BSCW-156 or BSCW-156D	\$21.00
156-2	4" Spacer Pipe for BSCW-156 or BSCW-156D	\$9.00
203JD	Inner Bearing for CHU-022 & CHU-44A Hub (JD#AA34132)	\$13.00
205DD3/4	Bearing- Great Plains # 188-007v	\$21.95
41ML	12" of #41 Roller Chain and Master Link	\$3.55
5203KYY2	Bearing for CHU44-B2 & CHU024 Hubs (JD AN212132)	\$15.60
6203-2RS	Outer Bearing for CHU022 & CHU44-A Hubs (JD#8535)	\$4.90
A270	2.7" D-series Hub Axle	\$16.30
A305	3.05" D-series Hub Axle	\$16.30
A3458L	Left Hand Axle for BSCW75BL	\$9.00
A3458R	Right Hand Axle for BSCW75BR	\$9.00
A70 KIT	Closing Wheel Adaptor Axle , Lock Nut & Washers for Roll Pin Attached Hubs	\$6.50
ANG-2D	2 Degree Closing Wheel Bracket for Deere Planters	\$6.50
ANG-2K	2 Degree Closing Wheel Bracket for Kinze Planters	\$6.50
B1/2x4 TAP BOLT	1/2" x 4" Tap Bolt for Stop Assembly on WA1360 & C125 Model Row Cleaners	\$3.60
B32687	Wear Ring	\$3.25

Martin Planter Attachment Parts Price List

Part #	Description	Price
B5/8x1 1/2	Patch Bolt for Attaching Row Cleaner Bolt-on Hubs	\$3.70
BU7858	Floating Row Cleaner Arm Bushing	\$1.55
C125FR	C125 Floating Row Cleaner Frame	\$74.00
C125FR-77F	C125 Frame for Deere Planters with Frame Mounted Fertilizer Openers (some exceptions apply)	\$74.00
C125FR GPL	Left Hand Frame for C125 GPTL	\$71.00
C125FR GPR	Right Hand Frame for C125 GPTR	\$71.00
C125 MTGL	Left Hand Mount for C125 GPTL	\$65.00
C125 MTGR	Right Hand Mount for C125 GPTR	\$65.00
C125MTL-XP	C125 Mount for Deere 7200 & Later Series Planters w/Unit Mounted Double Disk Fert. Openers	\$82.50
C125MTR	C125 Mount for Deere 7000, White 6000 & Kinze Planters w/ most Unit Mtd. Coulters	\$77.00
C125MTR-81	C125 Mount for White 8000 Series Planters w/ Unit Mounted Coulters	\$77.00
C125MTR-IH	C125 Mount for Case IH 800, 900 & 1200 Series Planters	\$82.50
C125MTR-XP	C125 Mount for Deere 7200 & Later Series Planters w/ most Unit Mounted Coulters	\$77.00
C125MTS	C125 Mount for Deere 7000. White 6000 & Kinze Planters w/out Coulters	\$77.00
C125MTS-81	C125 Mount for White 8000 Series Planters w/out Coulters	\$77.00
C125MTS-IH	C125 Mount for Case IH 800, 900 & 1200 Series Planters	\$82.50
C125MTS-XP	C125 Mount for Deere 7200 & Later Series Planters w/out Coulters	\$77.00
C125MTXL-XP	C125 Mount for Deere 7200 & Later Series Planters w/ Single Disk Fert. Injector Syst.	\$95.00
CA-02	Optional Cam Adjust for C125 Floating Row Cleaner	\$39.50
CA-03D	Optional Cam Adjust for All 1360 Floating Row Cleaners EXCEPT Kinze w/ Coulters	\$61.00
CA-03K	Optional Cam Adjust for BKC1360 Floating Row Cleaner	\$61.00
CA-30	Cam for CA-03	\$26.00
CA-31	Cam Block for CA-03	\$26.00
CA-32	Cam Knob for CA-03	\$2.25

Martin Planter Attachment Parts Price List

Part #	Description	Price
CA-34	Cam Spring for CA-03	\$3.60
CA30-28	Pin for Cam or Down Pressure Kit for C125 Floating Row Cleaner	\$2.85
CC84591	Drag Chain Connector Link	\$2.50
CDP-01	Optional Cam Down Pressure Kit for C125 Floating Row Cleaner	\$58.50
CHN-2538	25" of 3/8" Square Twisted Link Chain (19 Links)	\$22.00
CHU022	Aluminum Closing Wheel Hub with 2 Sealed Bearings (replacement part only)	\$39.50
CHU022BK	Bearing Kit for Chu022 (snap ring, inner & outer bearing & dust cap)	\$19.97
CHU024	Aluminum Closing Wheel Hub w/ Single Row Bearings (replacement part only)	\$39.50
CHU024BK	Bearing Kit for CHU024 (snap ring, dust cap & double row bearing)	\$17.75
CHU44A-BK	Bearing Kit for CHU44-A (snap ring, inner & outer bearing & dust cap)	\$20.45
CHU44-A	Cast 4-Bolt Hub for Closing Wheels w/ 2 Sealed Bearings	\$57.00
CHU44-B2	Cast 4-Bolt Hub for Closing Wheels w/ Single Row Bearing	\$57.00
CR14971	Triple Lip Seal (AA26234)	\$5.70
CSA-10	Cam Support Arm	\$19.00
CWB51L	White 5100 Closing Wheel Bracket; Left Side	\$17.00
CWB51R	White 5100 Closing Wheel Bracket; Right Side	\$17.00
CWB61L	White 6100 Closing Wheel Bracket; Left Side	\$17.00
CWB61R	White 6100 Closing Wheel Bracket; Right Side	\$17.00
DCB-01	Bracket for Drag Chain Kit (2 required per row)	\$6.00
DLD-02L	Left Hand Scraper for all 4-Bolt Row Cleaners except WA1532	\$17.00
DLD-02R	Right Hand Scraper for all 4-Bolt Row Cleaners except WA1532	\$17.00
DLR-01	Attaches to all D-Series Axles for Martin Row Cleaners	\$2.75
DP-01	Down Pressure Kit for C125 Floating Row Cleaner	\$39.50
DPS-01	Spring for DP-01	\$4.10

Martin Planter Attachment Parts Price List

Part #	Description	Price
DW1413	3 Hole, 14 Point Dimple Wheel	\$57.00
DW2013-4	4 Hole, 20 Point Dimple Wheel	\$57.00
FFB-01	Fertilizer Bar Extension Kit	\$42.00
FR1360	Frame for 1360 floating Row Cleaner	\$74.00
GWS-01	Single Gauge Wheel Shield (attaching hardware included)	\$15.00
HA13270-D	3 Bolt D-Series Hub Axle Combination for C125; Uses A270 Axle (replacement part only)	\$74.00
HA13305-D	3 Bolt D-Series Hub Axle Combination for WA1317/WA1330; Uses A305 Axle (replacement part only)	\$74.00
HA44270-D	D-Series Hub Axle Combination for Martin 4-Bolt Row Cleaners	\$74.00
HDL-01	Lift Assist Handle	\$6.00
HO156	Snap Ring	\$.65
HR KIT	Hub Repair Kit; For all Martin Row Cleaner Hub Assemblies	\$26.00
HS1080	Dust Cap for Chu022 & CHU024 Hubs, Zinc Plated (replacement part only)	\$1.40
HS1328	Dust Cap for all 4-Bolt Martin Row Cleaner & Closing Wheel Hubs	\$1.90
HS1328Z	Dust Cap for Martin Row Cleaners with Grease Fitting	\$2.50
HU13	3-Bolt Cast Hub for Row Cleaner with 13" Wheel (replacement part only)	\$39.50
HU15	3-Bolt Cast Hub for Row Cleaner with 15" Wheel (replacement part only)	\$39.50
HU44-F	Cast Hub for Martin Unit Mounted Fertilizer Opener	\$39.50
HU-44R	Cast Hub for Martin 4-Bolt Row Cleaners	\$39.50
IH800MTKIT	Mount Kit for Early CIH 800; Use with MT892	\$9.45
ITD1320L	Left Internal Deflector for WA1320N (Narrow Martin Row Cleaner)	\$10.00
ITD1320R	Right Internal Deflector for WA1320N (Narrow Martin Row Cleaner)	\$10.00
ITD13L	Left Internal Deflector for WA1317 & WA1330 Martin Row Cleaner (replacement part only)	\$12.60
ITD13R	Right Internal Deflector for WA1317 & WA1330 Martin Row Cleaner (replacement part only)	\$12.60
ITD15L	Left Internal Deflector for WA1517 Martin Row Cleaner (replacement part only)	\$16.50
ITD15R	Right Internal Deflector for WA1517 Martin Row Cleaner (replacement part only)	\$16.50

Martin Planter Attachment Parts Price List

Part #	Description	Price
ITDC125L	Left Internal Deflector for C125 Row Cleaner w/ 3-Bolt Hubs (replacement part only)	\$12.60
ITDC125R	Right Internal Deflector for C125 Row Cleaner w/ 3-Bolt Hubs (replacement part only)	\$12.60
ITDSCWL	Left Side Internal Deflector for Spading Closing Wheels	\$12.60
ITDSCWR	Right Side Internal Deflector for Spading Closing Wheels	\$12.60
L44610	Cup (JD8252)	\$2.35
L44643	Bearing (JD8933)	\$5.50
MPMX8	Mounting Bracket (Weldment Only) for Deere, Kinze, and White 6000 Series Planters	\$35.00
MPWT61	Mounting Bracket (Weldment Only) for White 6100; Works with Heavy Duty Down Pressure Springs	\$36.00
MPWT81	Mounting Bracket (Weldment Only) for White 8100 Series Planters	\$40.00
MSH41480	SCW-899 Bearing	\$15.50
MSH4806	SCW-899 Bearing Housing	\$9.45
MSH62024	Plastic Dust Cap for SCW-899	\$1.40
MT1250	Mount for WA1334 Case IH 1200 & 1250 series 2" Stem	\$56.00
MT1360CIH	Mount for 1360 on Case IH 1200 & 1250	\$87.00
CIH1360L	Left Hand Bracket to convert MT1360DS to MT1360CIH	\$11.00
CIH1360R	Right Hand Bracket to convert MT1360DS to MT1360CIH	\$11.00
MT1360CU	Mount for 1360 & UMO 100 on Case IH 1200&1250	\$97.00
MT1360DC	Mount for 1360 on Deere 7200 & later with Unit Mount Coulter	\$77.00
MT1360DD	Mount for 1360 on Deere 7200 & later with Unit Mount Double Disc Fertilizer Opener	\$82.00
MT1360DS	Mount for 1360 on Deere 7200 & later without Coulter	\$77.00
MT1360DU	Mount for 1360 & UMO on Deere 7200 & later	\$87.00
MT1360KC	Mount for 1360 on Kinze with Unit Mount Coulter	\$77.00
MT1360KS/WS	Mount for 1360 on Kinze & White 8000, 6000 Series Planters w/out Coulter	\$77.00
MT1360KU/WU	Mount for 1360 & UMO on Kinze & White 8000, 6000 Series Planters	\$87.00

Martin Planter Attachment Parts Price List

Part #	Description	Price
MT1394L	WA1394 Mount; Left Side	\$38.50
MT1394R	WA1394 Mount; Right Side	\$38.50
MT385	Quadra Disk/Landoll Mounting Bracket	\$57.00
MT512	White 5100 Mounting Bracket	\$57.00
MT610	White 6100 Mounting Bracket; Works with Heavy Down Pressure Springs	\$71.00
MT772	Universal Mounting Bracket; Accepts 1.5" Stem; Fits Deere, Kinze, White planters	\$70.00
MT810	White 8000 Series Mounting Bracket	\$75.00
MT892	Case I-H 800, 900, 2" Stem	\$56.00
NRP-2 KIT	Hardware Kit for all Closing Wheel Frames with Studs	\$2.25
NRP-B KIT	Hardware Kit for Martin Bolt-on Closing Wheel Hubs	\$3.50
RWB33L	Row Worker Bracket-Left Side	\$13.75
RWB33R	Row Worker Bracket-Right Side	\$13.75
SB-01L	Stop Block for 1360 Frame Left Hand	\$8.75
SB-01R	Stop Block for 1360 Frame Right Hand	\$8.75
SBA-01	Stop Bolt Angle Iron for C125 Series Martin Row Cleaners	\$6.75
SB1360DU	Stop Bracket for MT1360DU	\$10.00
SB1360KU/WU	Stop Bracket for MT1360KU/WU	\$10.00
SG-01	Prevents C-125 Row Cleaners from striking Shaft	\$11.50
SPT-514	1/4 Spacer	\$3.15
SPT-516	5/16" Triangular Hub Spacer for Three-Bolt Hubs	\$3.25
STW-01	Aluminum Side Treader Wheel, Three-Hole Pattern - (replacement part only)	\$28.50
STW-01K	Side Treader Wheel with Kinze Hole Pattern	\$33.00
STW-04	Aluminum Side Treader Wheel, Four-Hole Pattern	\$28.50
T15316	1 1/2" Tube Axle Weldment for 1517STEM - (replacement part only)	\$99.75

Martin Planter Attachment Parts Price List

Part #	Description	Price
T15320	1 1/2" Tube Axle Weldment for 1320 Stem	\$99.75
TR82	1 1/2" Receiver Tube	\$35.00
TW149	1/4 x 9" Toothed Wheel for SCW899 Closing Wheel	\$34.00
TW3813-L4	13" Left Steel Wheel - 4-Hole Pattern	\$51.00
TW3813L	13" Left Steel Wheel - 3-Hole Pattern	\$51.00
TW3813LK	13" Left Steel Wheel - Kinze Hole Pattern	\$56.00
TW3813-R4	13" Right Steel Wheel - 4-Hole Pattern	\$51.00
TW3813R	13" Right Steel Wheel - 3-Hole Pattern	\$51.00
TW3813RK	13" Right Steel Wheel - Kinze Hole Pattern	\$56.00
TW3815-L4	15" Left Steel Wheel - 4-Hole Pattern	\$59.00
TW3815L	15" Left Steel Wheel - 3-Hole Pattern	\$59.00
TW3815-R4	15" Right Steel Wheel - 4-Hole Pattern	\$59.00
TW3815R	15" Right Steel Wheel - 3-Hole Pattern	\$59.00
UMO-041L	Furrow Shoe with Liquid Tube Attached for UMO-100 Left Side Opener	\$43.50
UMO-041R	Furrow Shoe with Liquid Tube Attached for UMO-100 Right Side Opener	\$43.50
UMO-A77	Hub Axle for UMO-100	\$45.00
UMO-BLD01	14" Beveled Disc Blade	\$32.00
UMO-BSH01	Transition Washer; Attaches to outside of UMO-FCL01	\$4.10
UMO-FCB01L	Mount for Furrow Control Strap (LH)	\$8.75
UMO-FCB01R	Mount for Furrow Control Strap (RH)	\$8.75
UMO-FCL01	Furrow Control Strap Adjustment Lever	\$8.75
UMO-FCS01	Furrow Control Strap	\$9.75
UMO-FCS02	Furrow Control Strap Reinforcement Strip	\$9.75
UMO-HRKIT	Hub Repair Kit for UMO-100	\$25.75

Martin Planter Attachment Parts Price List

Part #	Description	Price
UMO-MSB01L	Main Support Beam for Left Side Fertilizer Opener	\$96.00
UMO-MSB01R	Main Support Beam for Right Side Fertilizer Opener	\$96.00
UMO-SB01	Spacer Bar	\$11.50
UMO-SPG01L	Coiled Spring for Left Side Fertilizer Opener	\$6.55
UMO-SPG01R	Coiled Spring for Right Side Fertilizer Opener	\$6.55
WA1320N	Narrow Row Cleaner Wheel Assembly; 1 1/2" Stem; 13" Wheels (mount not included)	\$311.00
WA1332	Moveable Axle Wheel Assembly; 1.5" Stem; 13" Steel Wheels (mount not included)	\$313.00
WA1334	Moveable Axle Wheel Assembly for Case IH planters; 2" Stem; 13" Steel Wheels (mount not included)	\$313.00
WA1532	Bolt on axle Wheel Assembly 1.5" Stem 15" Wheels	\$329.00
WA1360	13" Floating Row Cleaner (mount not included)	\$324.00
B413	White Frame Mounted Double Arm Coulter Row Cleaner; Includes Left and Right Mounts	\$345.50
WFM413TL	Left Bracket for WFM413	\$19.50
WFM413TR	Right Bracket for WFM413	\$19.50
WW-02	Wheel Weight for Martin Row Cleaners ; 4 lbs each -Three bolt	\$21.00
WW-04	Wheel Weight for Martin Row Cleaners ; 4 lbs each -Four-Bolt	\$21.00